



Options list

CTT 200 / 210 / 215 / 230 / 300 / HS



Rev. F

CYKLOP[®]
GLOBAL PACKAGING SOLUTIONS

STRAPPING
WRAPPING
CODING
TAPING

Revision log.

Revision	Note	Date
A	Initial release.	16-01-13
B	210427 added.	17-01-11
C	New design CTT 210 and CTT 230 added. Scale kit and feet removed CTT 200 210383 compability updated. 210432 picture updated. 210421 compability updated.	18-03-28
D	Pictures updated.	18-09-05
E	New part numbers for top plates	18-09-24
F	More info added for option: Scale	19-02-28

16	XXX	A	B	C	D
Product category	Machine type	Electrical, surface treatment of chassis	Not used	Chassis, table	Mast type
16= Semi automatic	200= CTT 200	0= no cabinet, std color	0	0= std chassis & Ø1650 mm table	0= load height 2200 mm
	205= CTT 205	1= 1-phase, std color		1= std chassis & Ø2200 mm table	1= load height 2600 mm
	215= CTT 215	2= 1-phase, rustproof		2= +500 mm extended chassis & Ø2200 mm table	2= load height 3000 mm
	300= CTT 300	3= 3-phase, std color		3= horse shoe chassis	3= custom load height, please specify
		4= 3-phase, rustproof			
		5= 3-phase, stainless steel			
		6= 3-phase, custom color			
		7= 1-phase, stainless steel			
		8= 1-phase, custom color			

A semi automatic machine number is composed by 9 numbers. (16XXXABCD)

Example 1: 162151000 = Standard CTT 215

16= Semi automatic	215= CTT 215	1= 1-phase, std color	0	0= std chassis & Ø1650 mm table	0= load height 2200 mm
--------------------	--------------	-----------------------	---	---------------------------------	------------------------

Example 2: 163002012 = CTT 300 with galvanized chassis and Ø2200 mm table

16= Semi automatic	300= CTT 300	2= 1-phase, galvanized	0	1= std chassis & Ø2200 mm table	0= load height 2200 mm
--------------------	--------------	------------------------	---	---------------------------------	------------------------

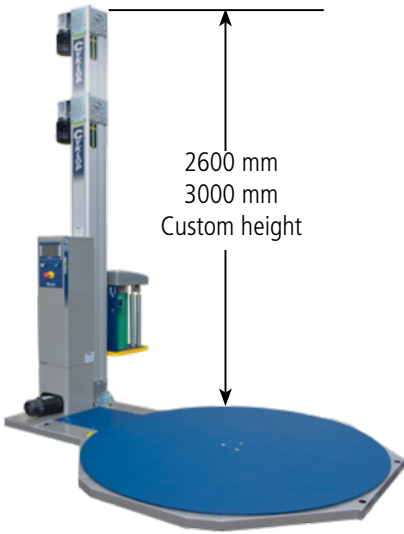
Ch.	Part. No.	Description	Compatibility					HS	Page
			CTT 200	CTT 210	CTT 215	CTT 230	CTT 300		
A Main options									
	xxxxxxx1	Extended mast - Load height 2600mm	•	•	•	•	•	•	5
	xxxxxxx2	Extended mast - Load height 3000mm	•	•	•	•	•	•	5
	xxxxxxx3	Extended mast - Custom load height 1500-2999mm	•	•	•	•	•	•	5
	xxxxxxx1x	Table Ø2200 mm	•	•	•	•	•	•	5
	xxxxxxx2x	Extended chassis +500mm (only for option table Ø2200mm)	•	•	•	•	•	•	5
	xxxxx3xxx	Three phase 3x400V	•	•	•	•	•	•	6
	xxxxx2xxx	Rustproof	•	•	•	•	•	•	7
	xxxxx7xxx	Stainless steel	•	•	•	•	•	•	7
B Top sheet dispensers									
	210080	Top sheet dispenser, floor	•	•	•	•	•	•	7
	210081	Top sheet dispenser, wall	•	•	•	•	•	•	7
C Sensors for pallet height recognition									
	901770	Laser sensor	•	•	•	•	•	•	7
D Floor protection frames									
	210355	Floor protection frame for Ø1650 mm table	•	•	•	•	•	•	8
	210406	Floor protection frame for Ø2200 mm table	•	•	•	•	•	•	8
	210414	Floor protection frame for Ø2200 mm table + 500 mm	•	•	•	•	•	•	8
E Top plates for Ø1650 mm table									
	210373	Top plate, round Load height 2200 mm		•	•	•			8
	210372	Top plate, rectangular Load height 2200 mm		•	•	•			8
	210381	Top plate, round Load height 2200 mm					•		8
	210380	Top plate, rectangular Load height 2200 mm					•		8
	210519	Top plate, round Load height 2600 mm		•	•	•			8
	210518	Top plate, rectangular Load height 2600 mm		•	•	•			8
	210523	Top plate, round Load height 2600 mm					•		8
	210522	Top plate, rectangular Load height 2600 mm					•		8
	210387	Top plate, round Load height 3000 mm		•	•	•			8
	210395	Top plate, rectangular Load height 3000 mm		•	•	•			8
	210390	Top plate, round Load height 3000 mm					•		8
	210389	Top plate, rectangular Load height 3000mm					•		8
F Top plates for Ø2200 mm table									
	210397	Top plate, round Load height 2200 mm		•	•	•			9
	210396	Top plate, rectangular Load height 2200 mm		•	•	•			9
	210392	Top plate, round Load height 2200 mm					•		9
	210391	Top plate, rectangular Load height 2200 mm					•		9
	210521	Top plate, round Load height 2600 mm		•	•	•			9
	210520	Top plate, rectangular Load height 2600 mm		•	•	•			9
	210525	Top plate, round Load height 2600 mm					•		9
	210524	Top plate, rectangular Load height 2600 mm					•		9
	210399	Top plate, round Load height 3000 mm		•	•	•			9
	210398	Top plate, rectangular Load height 3000 mm		•	•	•			9
	210394	Top plate, round Load height 3000 mm					•		9
	210393	Top plate, rectangular Load height 3000mm					•		9
G Add-ons for top plate									
	210397	Door and window add-on		•	•	•	•		9

Ch.	Part. No.	Description	Compatibility					HS	Page
			CTT 200	CTT 210	CTT 215	CTT 230	CTT 300		
H	Access ramps								
	210375	Ramp, Ø1650 mm	•	•	•	•	•	10	
	210455	Ramp, Ø1650 mm, galvanized	•	•	•	•	•	10	
	210377	Ramp, Ø2200mm	•	•	•	•	•	10	
I	Automatic cutting								
	210383	Cutting device			•	•	•	•	10
J	Scale								
	210405	Scale kit		•	•	•	•	11	
	210413	Elevation feet for scale		•	•	•	•	12	
K	Cabinet								
	210421	Button cover	•	•	•		•*	12	
	210431	Wall mounted cabinet	•	•	•	•	•	12	
	210432	Stand alone cabinet (floor mounted)	•	•	•	•	•	13	
L	Chassis								
	210426	Table with rough surface	•	•	•	•	•	13	
	210254	Film holder	•	•	•	•	•	13	
	210404	Elevated chassis for Ø1650 mm table	•	•	•	•	•	14	
	210480	Elevated chassis for Ø2200 mm table	•	•	•	•	•	14	
	210485	Elevated chassis for Ø2200 mm table & +500 mm	•	•	•	•	•	14	
	210403	Roller conveyor, non powered	•	•	•	•	•	14	
	210402	Table for worktainer	•	•	•	•	•	15	
	210382	String roller **)	•	•	•	•	•	15	
	210408	Low temperature -6°C	•	•	•			15	
	210409	Low temperature -28°C	•	•	•			16	
	210429	Low temperature -28°C					•	16	
	210469	Main switch	•	•	•	•	•	16	
	210346	Cover for speed shift	•	•	•	•	•	17	
	210427	Passive anti-static eliminator	•	•	•	•	•	17	

*) Can not be used with CTT 230 HS or CTT 300 HS

**) Can not be used with option extended chassis +500 mm

Extended mast 2600-3000 mm



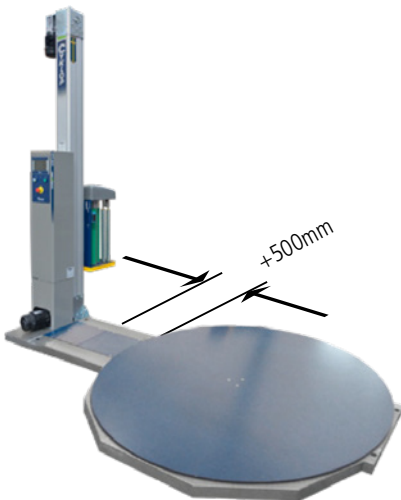
- xxxxxxx1 2600 mm
For the filming of the high pallets goods.
For goods up to 2600 mm.
- xxxxxxx2 3000 mm
For the filming of the high pallets goods.
For goods up to 3000mm.
- xxxxxxx3 Custom load height is also available upon request. From 1500-2999mm

Table Ø2200



- xxxxxxx1x Larger table diameter Ø2200. For pallets larger than std. Ø1640 mm.

Extended chassis



- xxxxxxx2x Extends the chassis between the mast and table with 500 mm. With this option larger pallets can be wrapped.

Only for use with the option:
"Table Ø2200 mm"

xxxxx3xxx - Three phase

The standard machines are made to be plugged to one phase 240V. With this option the machine is delivered to be plugged in to three phase 3x400V. Machine equipped for connection to three phase socket.

xxxxxx - Rustproof



The following parts are galvanized:

- Bottom unit
- Turntable

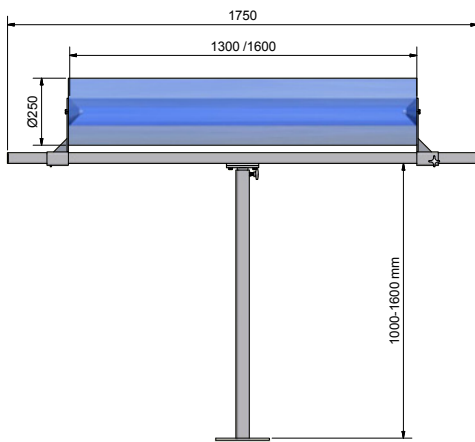
xxxxxx - Stainless steel



The following parts are stainless steel:

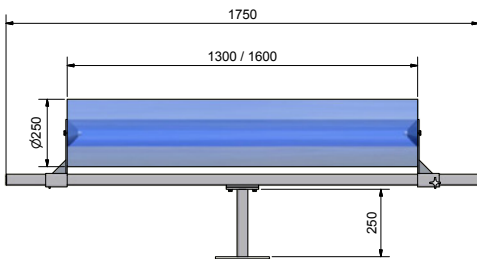
- Bottom unit
- Turntable

210080 - Top sheet dispenser, floor mounted

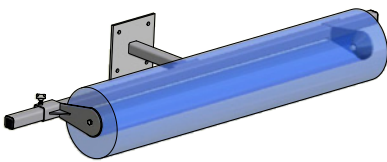


When palletized goods need protection from dust/water or dampness.

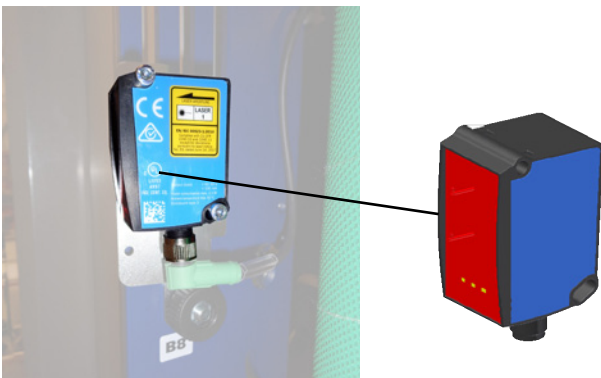
210081 - Top sheet dispenser, wall mounted



When palletized goods need protection from dust/water or dampness.

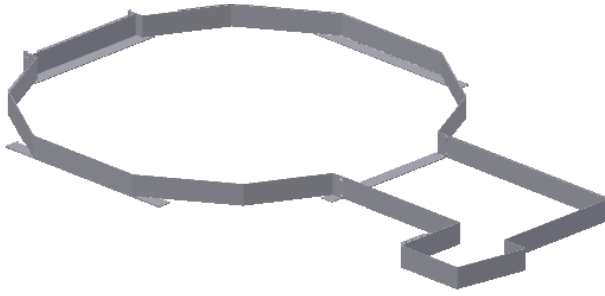


901770 - Laser height sensor



For use with black or very reflective stretch films.

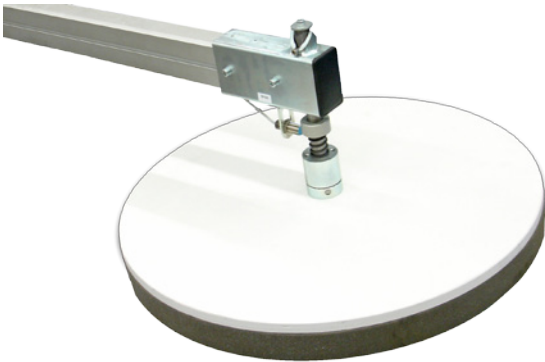
Floor protection ring



When casting the machine into concrete the ring reinforces the concrete edge. Prevents forklifts causing damage to the floor edge and the machine.

- 210355 - Floor protection ring Ø1650
- 210406 - Floor protection ring Ø2200
- 210414 - Floor protection ring Ø2200+500mm

Round top plate for Ø1650 mm table



Top plate, round

A foam rubber pad fitted topplate lowered against the goods in order to increase the stability of the cargo. Round top plate works best with asymmetric pallet loads. Dimension: Ø700 mm

For loads up to 2200 mm

210373 - Top plate round. CTT 200/210/215/230

210381 - Top plate round. CTT 300

For loads up to 2600 mm

210519 - Top plate round. CTT 200/210/215/230

210523 - Top plate round. CTT 300

For loads up to 3000 mm

210387 - Top plate round. CTT 200/210/215/230

210390 - Top plate round. CTT 300

Rectangular top plate for Ø1650 mm table



Top plate, rectangular

A foam rubber pad fitted topplate lowered against the goods in order to increase the stability of the cargo. Rect. top plate works best with EUR-pallets. Dimension: 600x1000 mm

For loads up to 2200 mm

210372 - Top plate rectangular. CTT 200/210/215/230

210380 - Top plate rectangular. CTT 300

For loads up to 2600 mm

210518 - Top plate rectangular. CTT 200/210/215/230

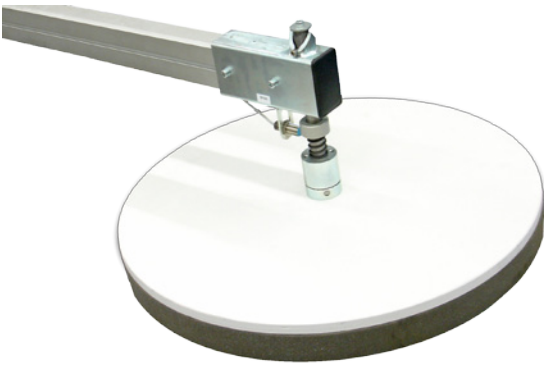
210522 - Top plate rectangular. CTT 300

For loads up to 3000 mm

210395 - Top plate rectangular. CTT 200/210/215/230

210389 - Top plate rectangular. CTT 300

Round top plate for Ø2200 mm table



Top plate, round

A foam rubber pad fitted topplate lowered against the goods in order to increase the stability of the cargo. Round top plate works best with asymmetric pallet loads. Dimension: Ø700 mm

For loads up to 2200 mm

210397 - Top plate round. CTT 200/205/215

210392 - Top plate round. CTT 300

For loads up to 2600 mm

210521 - Top plate round. CTT 200/205/215

210525 - Top plate round. CTT 300

For loads up to 3000 mm

210399 - Top plate round. CTT 200/205/215

210394 - Top plate round. CTT 300

Rectangular top plate for Ø2200 mm table



Top plate, rectangular

A foam rubber pad fitted topplate lowered against the goods in order to increase the stability of the cargo. Rect. top plate works best with EUR-pallets. Dimension: 600x1000 mm

For loads up to 2200 mm

210396 - Top plate rectangular. CTT 200/205/215

210391 - Top plate rectangular. CTT 300

For loads up to 2600 mm

210520 - Top plate rectangular. CTT 200/205/215

210524 - Top plate rectangular. CTT 300

For loads up to 3000 mm

210398 - Top plate rectangular. CTT 200/205/215

210393 - Top plate rectangular. CTT 300

Door add-on for top plate



Top plate door

Special for filming doors and windows.

Access ramp

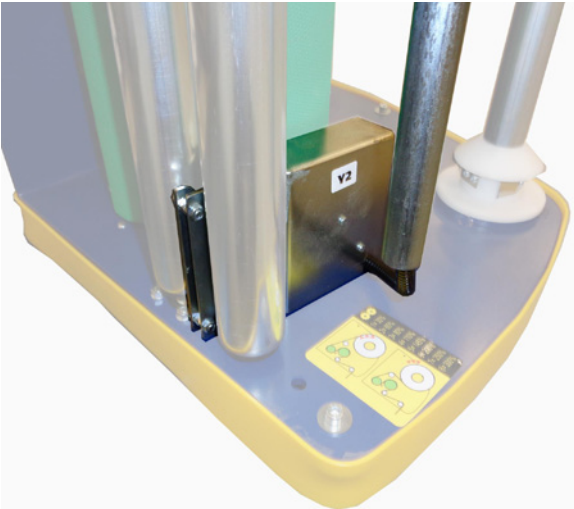
Ramp is used to get the goods up on the machine, eg hand stacker.



- 210375 - Access ramp Ø1650
- 210455 - Access ramp Ø1650, galvanized
- 210377 - Access ramp Ø2200

210383 - Cutting unit

Semi automatic cutting unit that cuts the film by punch a hole in the stretch film.





210405 - Weighing function for use with Ø1650 mm table.

210540 - Weighing function for use with Ø2200 mm table.



The instrument is placed on top of the electrical cabinet for good visibility. Power is supplied from the machine which means that no external power is needed.

Contains:

- Scale instrument, type approved and CE marked OIML Class III
- Load cells, 6 pcs, OIML C3, IP 67
- Summary box

Options:

- Zebra direct thermal printer, max label width 108 mm

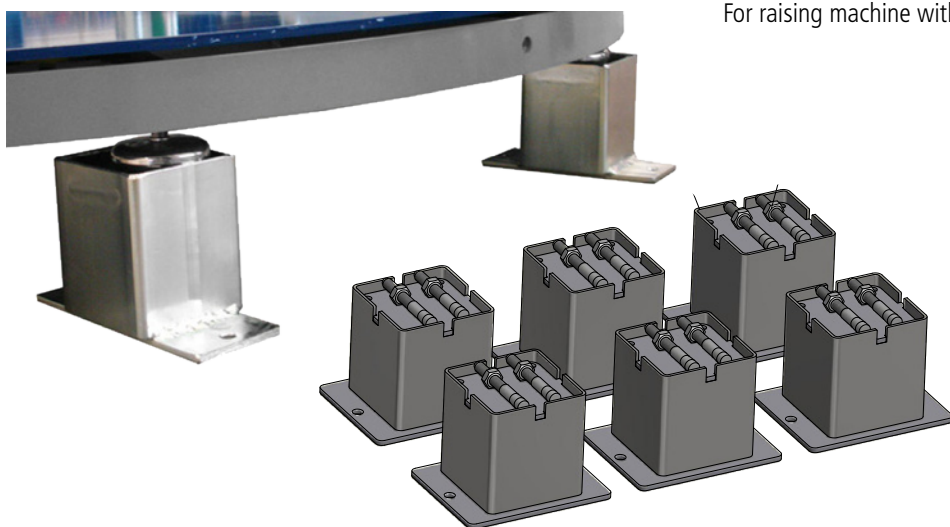
Technical data:

- Max pallet weight: 2000 kg
- Resolution: 1 kg
- Operating temperature: -10°C to +40°C

The scale is not verified upon delivery. Has to be done after installation.

210413 - Elevation feet for scale

For raising machine with 100 mm from ground level



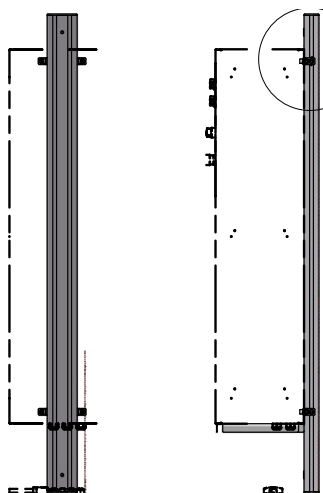
Button cover/ Knappskydd

Button protection for buttons on the operating panel. Prevents that someone changes the preset value.



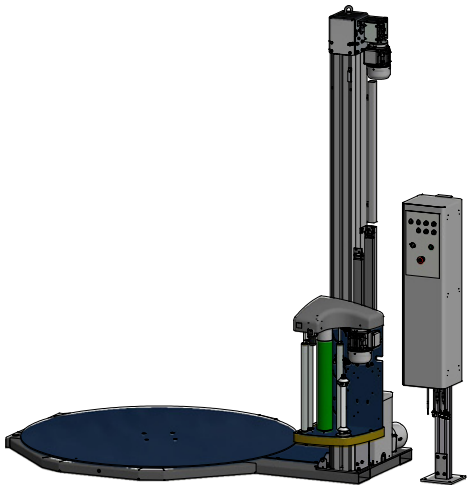
210431 - Wall mounted cabinet

Cabinet can be installed on a wall up to 3 m from the machine.



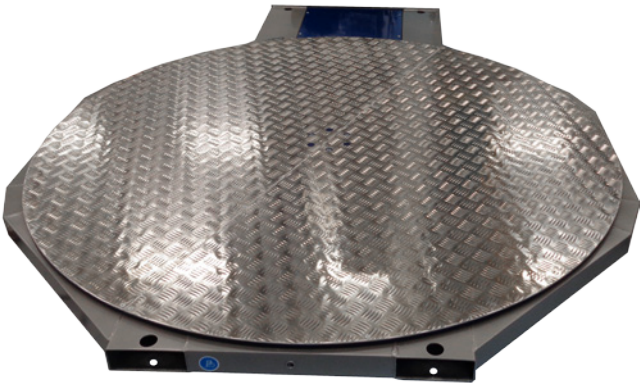
210432 - Free standing cabinet

Cabinet is mounted on a pole and can be installed up to 3 m from the machine.



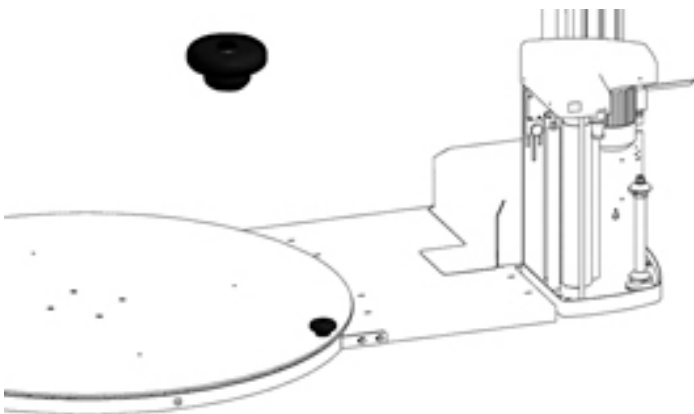
210426 - Rough surface for table Ø 1650 mm

Table covered with aluminum diamond plate for increasing friction between the table and pallet.

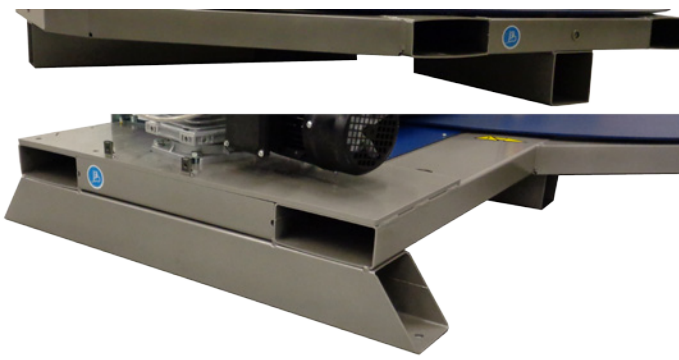


210254 - Holder for film

Allows the stretch film to be attached to the table instead of the goods before film application commences.



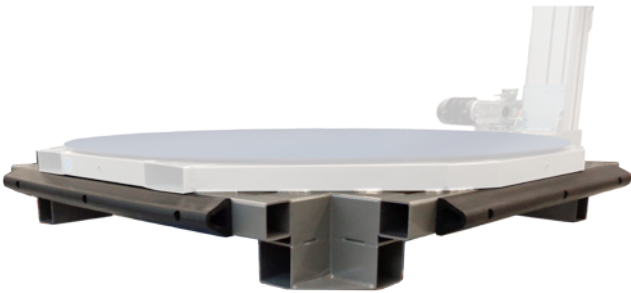
Elevated chassis +100 mm



For raising machine with 100 mm from ground level
210404 - Elevated chassis for Ø1650 table
210480 - Elevated chassis for Ø2200 table
210485 - Elevated chassis for Ø2200 table with +500 mm extension

Note!
Not for use with scale option.

Elevated chassis +200 mm



For raising machine with 200 mm from ground level
210556 - Elevated chassis for Ø1650 table

Note!
Not for use with scale option.

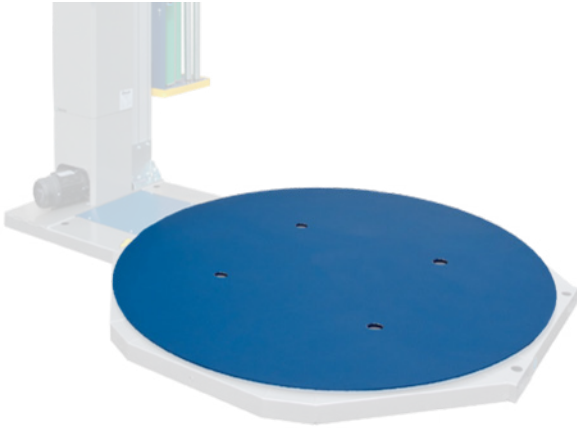
210403 - Roller conveyor, non powered



Undriven conveyor with manual brake.

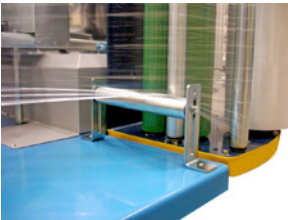
CTT series	
Turntable	Ø1675 mm
Roller diameter	80 mm
Roller pitch	150 mm
Load capacity	900 Kg
Transport height	320 mm*
* Other transport height, contact Cyklop Teknik for an offer.	

210402 - Table for worktainer



Add-on table with cutouts for the wheels of the worktainer

210382 - String roller



Stringroller is an option to tie up the bottom of the film width to a string.

This means that the goods will be tied tighter to the pallet.

210408 - Low temperature -6°C

The kit includes:

- Radiator for electrical cabinet
- Oil in gear boxes is adapted for use in cold environments.

210409 - Low temperature -28°C



- The kit includes:
- Radiator for electrical cabinet
 - Insulation for electrical cabinet
 - Oil in gear boxes is adapted for use in cold environments.

210429 - Low temperature -28°C for CTT 300



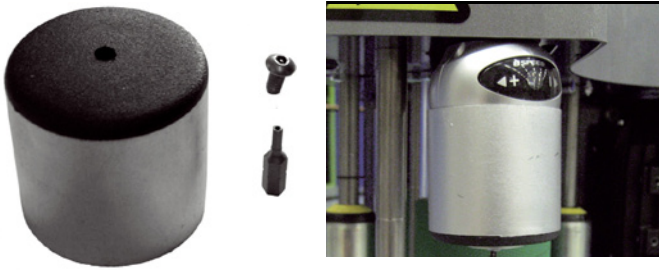
- The kit includes:
- Radiator for electrical cabinet
 - Insulation for electrical cabinet
 - Oil in gear boxes is adapted for use in cold environments.
 - Display for cold environments

210469 - Main switch



A main switch is added to the electrical cabinet.

210346 - Cover for speed shift



Prevents that someone changes the preset value on the speed shift.

210427 - Passive anti-static eliminator



A passive anti-static brush reduces or eliminates positive and negative static electricity that can build up in the stretch film when it passes over the rollers.

