



ELASTIC STRING TYING MACHINE  
MODEL: AXRO-MD 35/60 XL



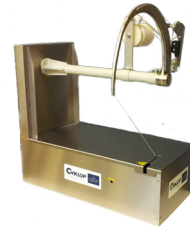
## AXRO-MD 35/60 XL

## Strapping, bundling and strengthening your product

The AXRO-MD 35/60 XL is particularly designed for large products with a maximum feed through height up to 300 mm. and a feed through depth up to 600mm! The machine is among other industries especially suitable for the floriculture, horticulture, tree plantations and cable industry. Naturally the AXRO-MD 35/60 is provided with the well-known AXRO-gripping-and-knotting technology.

### Advantages

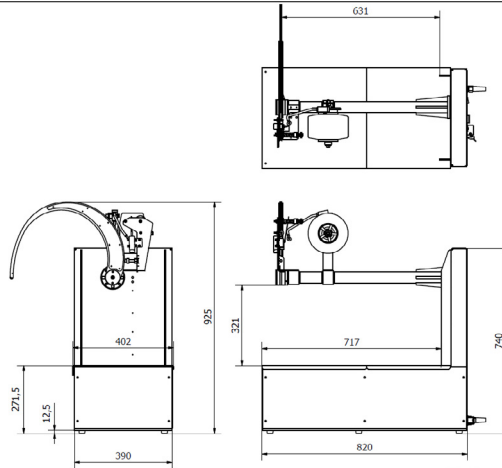
- Moveable, 4-wheel support frame (option)
- Easy to built in an automatic processing line
- Easy to operate
- All functions are operated automatically by startsensor, footswitch, PLC
- Robust, durable, very reliable
- Minimum maintenance
- Strongly reduced noise



### Operation

Products are passed along the table surface through the pre-draped elastic string. The machine switches on: folds the Elastic string around the product into the tying mechanism". The Elastic string will be knotted and cut off. The arm will return into the start position with the Elastic string ready for a new product. The tied product can be removed from the machine.

### Data



	AXRO-MD 35 XL	AXRO-MD 60 XL
Capacity	3.500 cycles/ h	3.500 cycles/ h
Feed through height	300 mm	300 mm
Depth	350 mm	600 mm
Machine weight	80 kg	80kg
Power supply	230V,50Hz, 1 ph.	230V,50Hz, 1 ph.
String tension	adjustable	adjustable
Bench	stainless steel	stainless steel
Trigger	footswitch, PLC, startsensor	footswitch, PLC, startsensor

Elastic string	Cylastic PES	Cylastic PC 1300	Cylastic 3K
Breaking strength	55 N	65 N	110 N
Stretch	260%	245%	310%

### Versions

Vertical construction, stainless steel

### Option

4-wheel support frame

[WWW.CYKLOP.NL](http://WWW.CYKLOP.NL)

+31 38 4675800

Cyklop Nederland B.V.  
Benjamin Franklinstraat 5  
8013 NC Zwolle  
[info@cyklop.nl](mailto:info@cyklop.nl)

THE  
STRAPPING  
COMPANY

