



STRETCH WRAPPER
MODEL: CST 212 AUTO ADVANCE

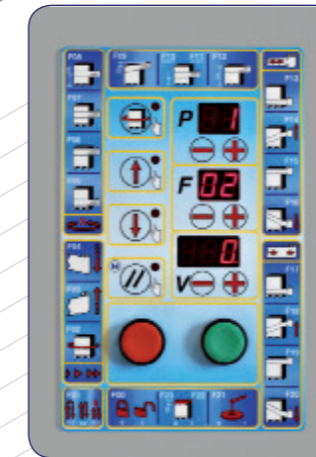
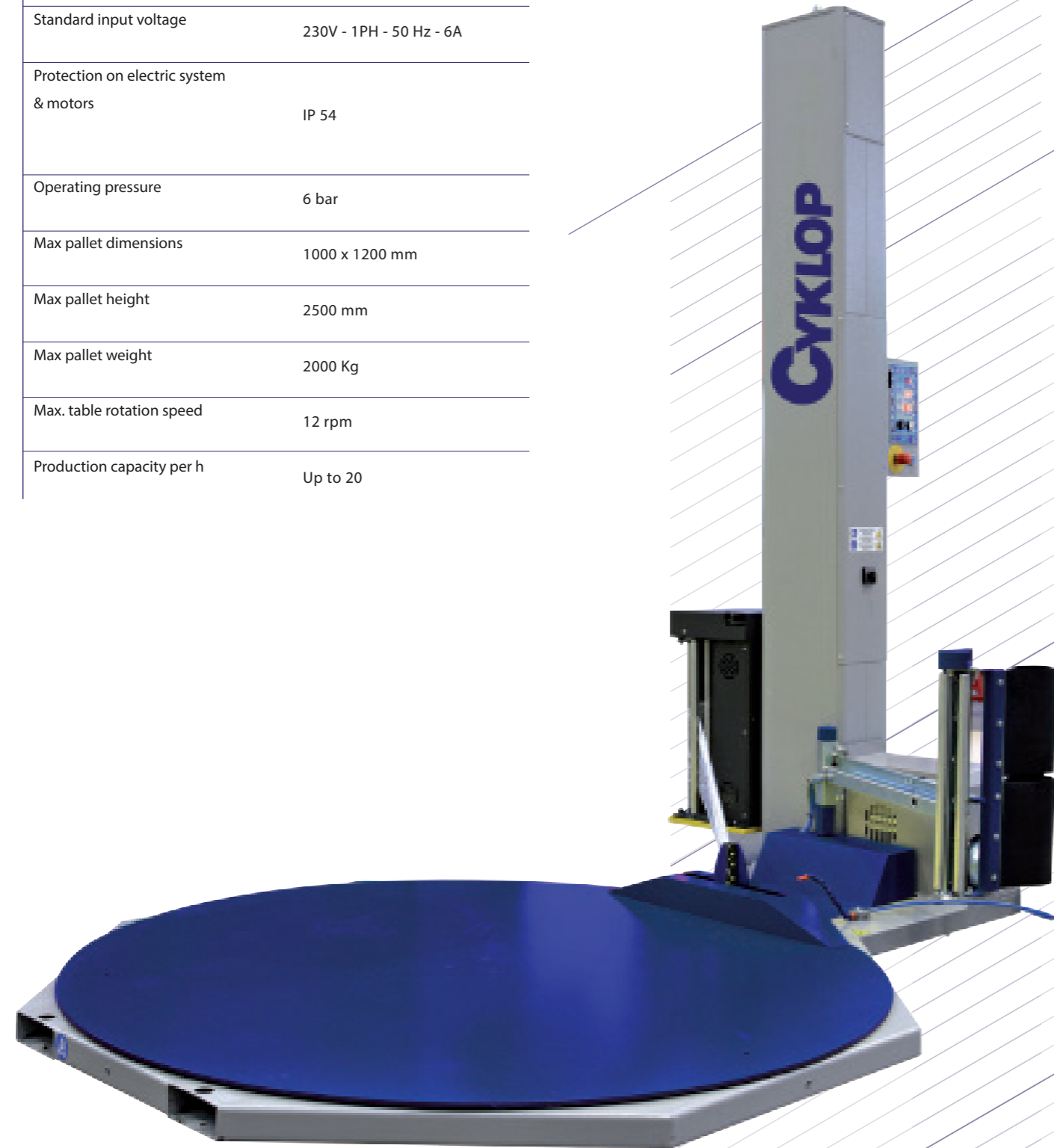
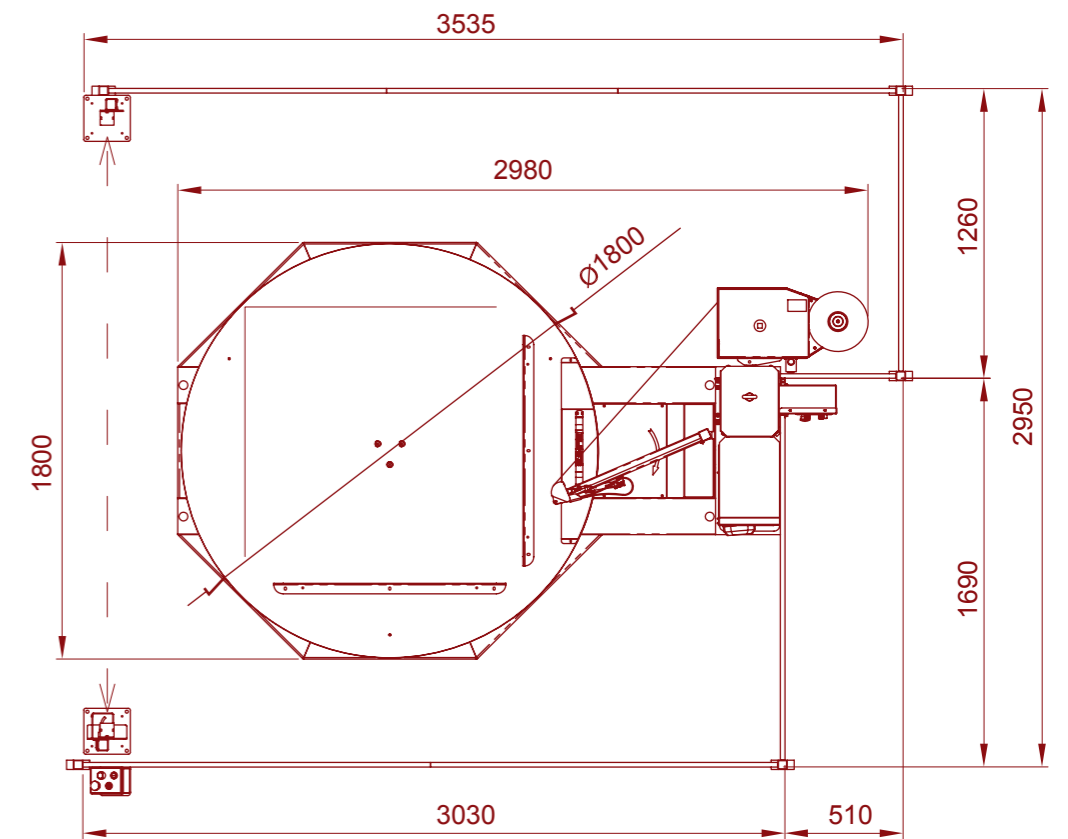
CST 212 auto Advance Smart Technology

Automatic stand alone wrapping turntable with clamp and cutting system, simple and reliable.

Technical Characteristics

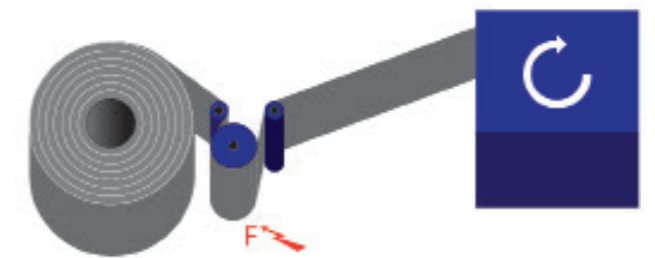
Total power installed	min. 1.2 Kw - max. 2.2 Kw
Standard input voltage	230V - 1PH - 50 Hz - 6A
Protection on electric system & motors	IP 54
Operating pressure	6 bar
Max pallet dimensions	1000 x 1200 mm
Max pallet height	2500 mm
Max pallet weight	2000 Kg
Max. table rotation speed	12 rpm
Production capacity per h	Up to 20

- Optionals
- Inox version.
 - Acid protection.
 - Integrated weighing systems.
 - Ramp of loading.
 - Increased diameter.
 - Mast for loads up to 3300 mm high.
 - Film weight check.
 - Pallet holder presser.
 - 99 programs version.



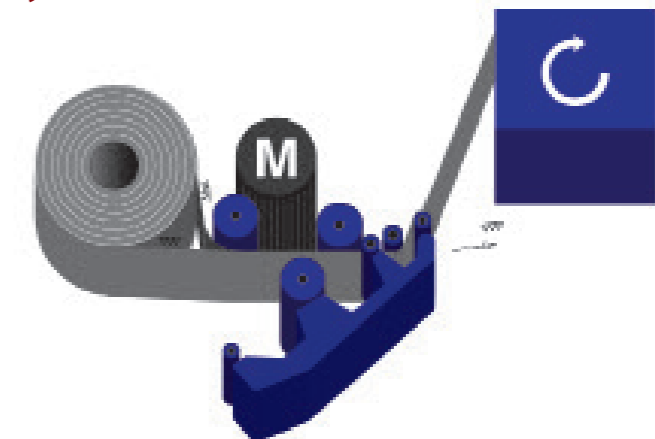
Control panel 99 programs easy-to-use.

Version 211: Electromagnetic friction adjustable from control panel.



Save your Money

Version 212: Motorized pre-stretch system with 3 driven rollers electronically controlled with interchangeable ratios: 150 - 200 - 250%.



WWW.CYKLOP.NL
+31 384675800

CYKLOP Nederland BV
Benjamin Franklinstraat 5
8013 NC Zwolle
info@cyklop.nl

