



# CSM 213

PALLET WRAPPER

**CYKLOP**<sup>®</sup>  
GLOBAL PACKAGING SOLUTIONS

STRAPPING  
WRAPPING  
CODING  
TAPING

The pallet wrapper CSM 213 is a flexible, mobile film wrapper. The robot wrapper can be moved to any desired location by means of a handle with operating buttons. Due to its flexible nature, the wrapper can handle any package size. Replacing the film is very easy and fast with the pre-stretch unit. Operation is simple with touch keys. Because the machine has a modular construction, the machine can be used for both light and intensive use. The pre-stretch (up to 300%) is effortlessly adjustable on the display.

**Advantages**

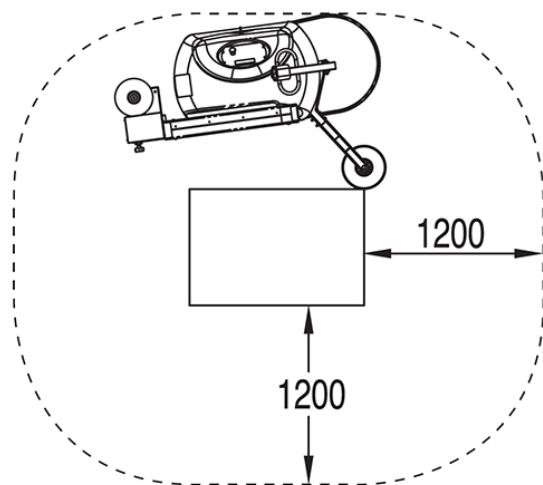
- Ergonomic
- Economical: you save on film and the employee can do other work in the meantime
- The pallets are all wrapped in the same qualitative way
- You can move the machine to the workplace
- No need to pick up and move an unstable pallet
- No turntable, so it's easy to wrap large pallet sizes
- Are you short on space? After work, you can store/put the machine away

**Options**

- Extended mast
- Automatic cutting unit
- Expand to 99 wrapping programs
- Lithium battery
- Bearing wheels
- Compass: start and stop in the same place
- Other options on request



> [Click here for a video of the CSM 213](#) <



Technical data	
Machine weight	325 kg
Wrapping height	2200 mm
Max. capacity	20 per hour
Speed	60 meter per minute
Min. pallet dimensions	400 x 600 mm
Power supply	230 V, 50/60 Hz

Cyklop International  
 Industriestraße 133, D-50996 Köln  
 (Rodenkirchen)  
 Postfach / P.O. Box 50 12 20,  
 D-50972 Köln (Rodenkirchen)

+49 (0) 2236 6020  
[www.cyklop.com](http://www.cyklop.com)  
[info@cyklop.com](mailto:info@cyklop.com)

